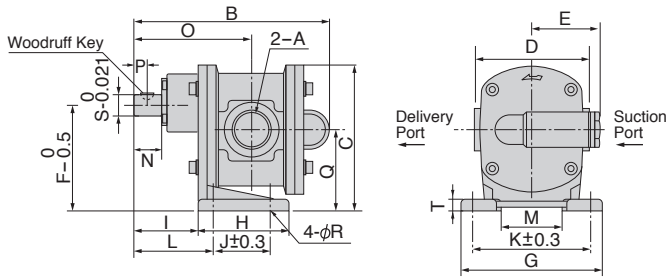


## GEAR PUMP

**GL—**

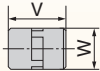


Type	A	B	C	D	E	F	G	H	I	J	K	L	M
GL-13-□	G $\frac{1}{2}$ "	189	131	108	64.5	95	138	73	71	40	116	87	58
GL-20-□	G $\frac{3}{4}$ "	196	131	108	64.5	95	138	73	71	40	116	87	58
GL-25-□	G1"	208	131	108	64.5	95	138	73	71	40	116	87	58
GL-32-□	G $\frac{1}{4}$ "	222	131	108	64.5	95	138	73	71	40	116	87	58
GL-40-□	G $\frac{1}{2}$ "	265	189	148	89.5	136	184	112	86	70	156	111	100
GL-50-□	G2"	290	189	148	89.5	136	184	112	86	70	156	111	100

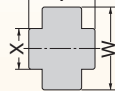
N	O	P	Q	R	S	T	U
30	113	15	75	11	18	12	4x19
30	117	15	75	11	18	12	4x19
30	122	15	75	11	18	12	3x19
30	130	15	75	11	18	12	4x19
40	158	19	106	11	22	16	5x22
40	170	19	106	11	22	16	5x22

	V	W	X
GL-13-□			
GL-20-□	69	55	
GL-25-5			
GL-25-10	93	125	50
GL-32-□			
GL-40-5	93	125	50
GL-40-10	103	140	63
GL-50-5			
GL-50-10	115	160	80

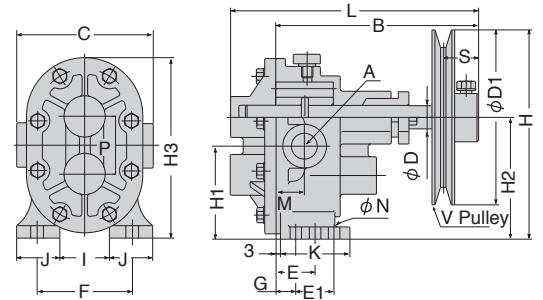
GL-13-□,  
GL-20-□,  
GL-25-5



GL-25-10,  
GL-32-□,  
GL-40-□,  
GL-50-□



**GB— GC—**



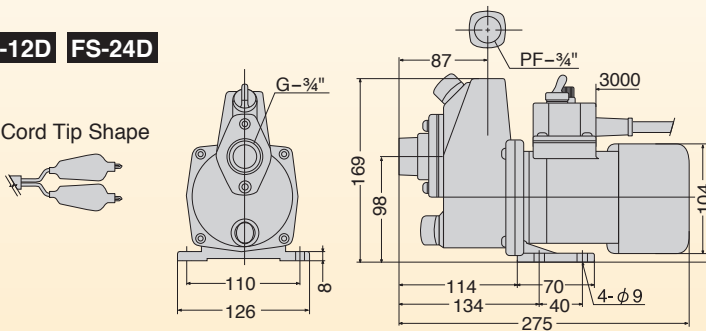
Type	A	L	B	C	D	D1	H	H1	H2	H3
GC-13/GB-13	G $\frac{1}{2}$ "	181	148	100	18	127	151	67	88	130
GC-20/GB-20	G $\frac{3}{4}$ "	201	165	130	20	152	179	78	103	153
GC-25/GB-25	G1"	247	204	142	22	203	230	91	129	191

F	J	I	K	E	G	E1	N	M	P	S	Pulley
70	32	36	51	33	—	—	9	21	41	25	A1
97	36	58	30	—	23	28	9	25	50	25	A1
114	38	65	75	—	30	34	10	33	63	24	A1

## FS PUMP

**FS-12D FS-24D**

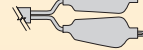
Cord Tip Shape



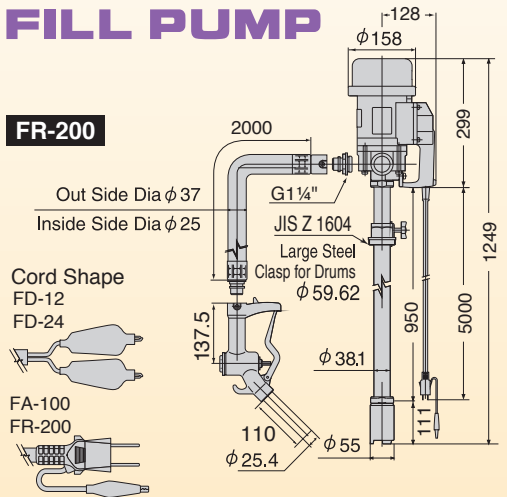
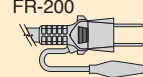
## FILL PUMP

**FR-200**

Cord Shape  
FD-12  
FD-24



FA-100  
FR-200

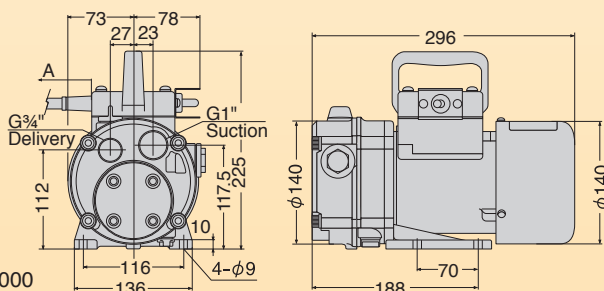


## CHANGE-MASTER

**GM-2524H**

Cord Tip Shape

A Code Length:5000



**FD-12**

**FD-24**

**FA-100**

Cord Shape  
FD-12  
FD-24



FA-100

